

Test Report

for GPS L1/ GLONASS L1 AVIATION ANTENNA



Model: HXAT00GGAAV40C

Chengdu HAIXIN MICROWAVE Technology Co., Ltd

Add: Chengdu 610091, China

Tel: +86-28-87089208

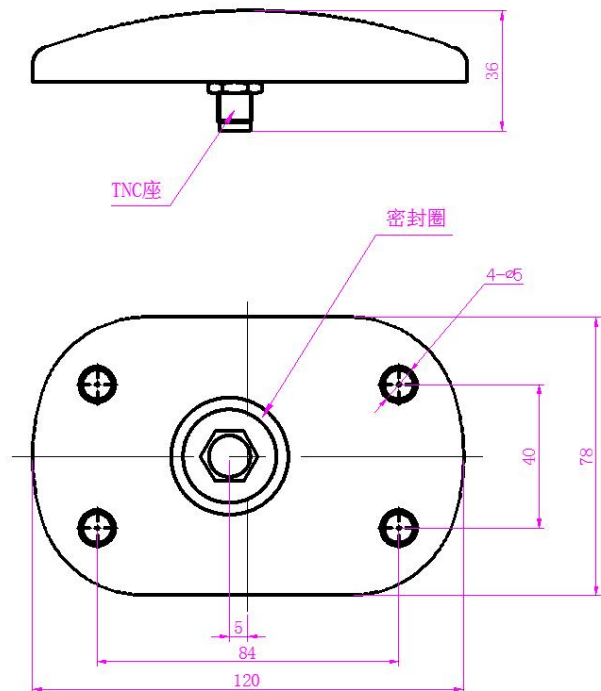
Website: www.hxmicrowave.com

Fax: +86-28-87089208

Email: sale@hxmicrowave.com

Specification

1. Frequency: GPS L1:1575.42MHz±5MHz
GLONASS L1:1602MHz±8MHz
2. Pattern:
Azimuth: Omnidirectional
Elevation: Hemispherical
3. LNA Gain: 38dB±2dB
4. Polarization: Right-hand circular
5. AR: ≤3dB
6. Noise: ≤2dB
7. Impedance : 50 Ω
8. VSWR : ≤2:1
9. Power requirements: Voltage: 3~5VDC
Current: ≤20mA
10. Connector: TNC female
11. Operating Temperature : -40℃~+85℃
12. Store Temperature : -55℃~+85℃
13. Weight: ≈ 200 g
14. Size: 120mm×78mm×36mm



Test Instruments

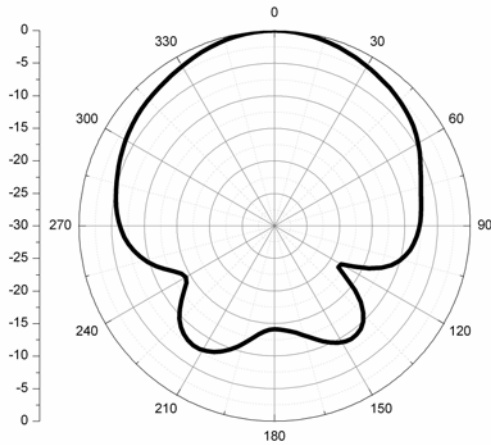
Agilent 83630B
HP8563E
HP8720D

Test Results

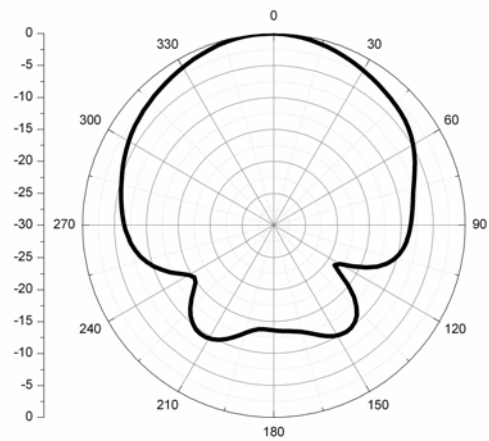
1. Gain

| Frequency (GHz) | Gain (dBic) |
|-----------------|-------------|
| 1.575 | 42.4 |
| 1.602 | 42.1 |

2. Pattern



Feq:1575MHz



Feq:1602MHz